



Installation instructions, accessories

Volvo Car Corporation Gothenburg, Sweden

Instruction No	Version	Part. No.
31470846	1.4	31470777

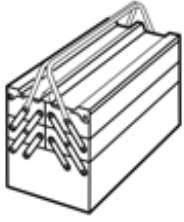
Tablet holder



Installation instructions, accessories

Volvo Car Corporation Gothenburg, Sweden

Equipment

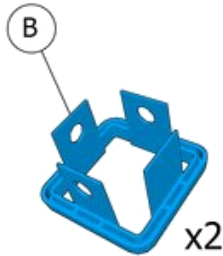
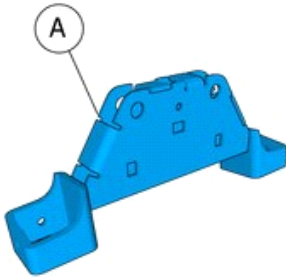


A0000162

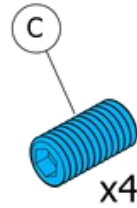


IMG-239664

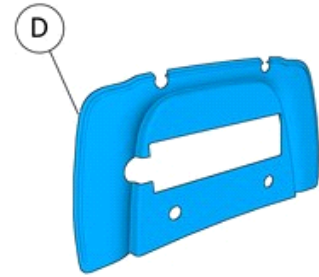
Nm
lbf.ft



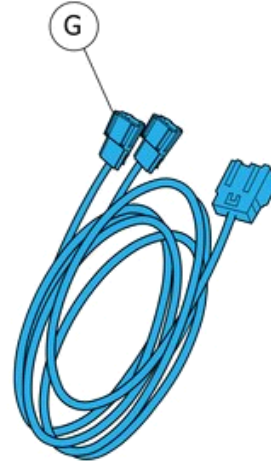
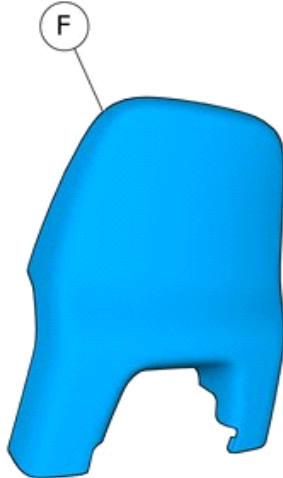
x2



x4



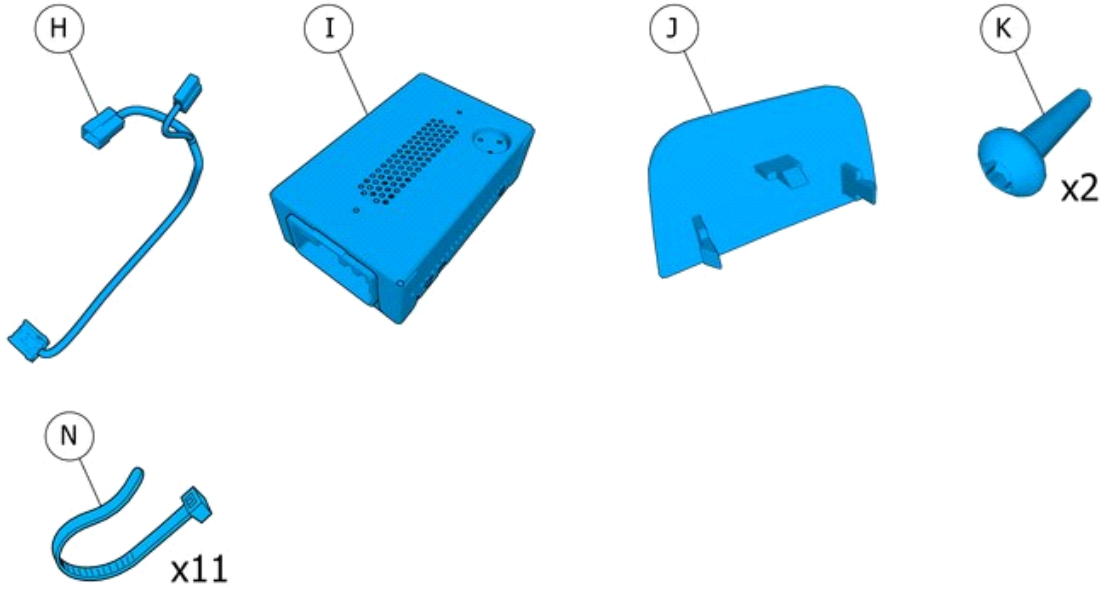
IMG-405832





Installation instructions, accessories

Volvo Car Corporation Gothenburg, Sweden



IMG-407177



Installation instructions, accessories

Volvo Car Corporation Gothenburg, Sweden

Information

1

Read through all of the instructions before starting installation.

Notifications and warning texts are for your safety and to minimise the risk of something breaking during installation.

Ensure that all tools stated in the instructions are available before starting installation.

Certain steps in the instructions are only presented in the form of images. Explanatory text is also given for more complicated steps.

In the event of any problems with the instructions or the accessory, contact your local Volvo dealer.

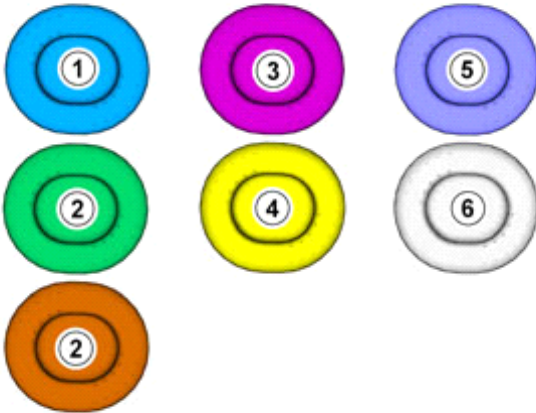
Further information

2

There may be parts in the accessories kit that are not needed for this installation.

Color symbols

3



IMG-363036

Note!

This colour chart displays (in colour print and electronic version) the importance of the different colours used in the images of the method steps.

- Used for focused component, the component with which you will do something.
- Used as extra colors when you need to show or differentiate additional parts.
- Used for attachments that are to be removed/installed. May be screws, clips, connectors, etc.
- Used when the component is not fully removed from the vehicle but only hung to the side.
- Used for standard tools and special tools.
- Used as background color for vehicle components.

Removal



Installation instructions, accessories

Volvo Car Corporation Gothenburg, Sweden

4

Note!

The removal steps may contain installation details.

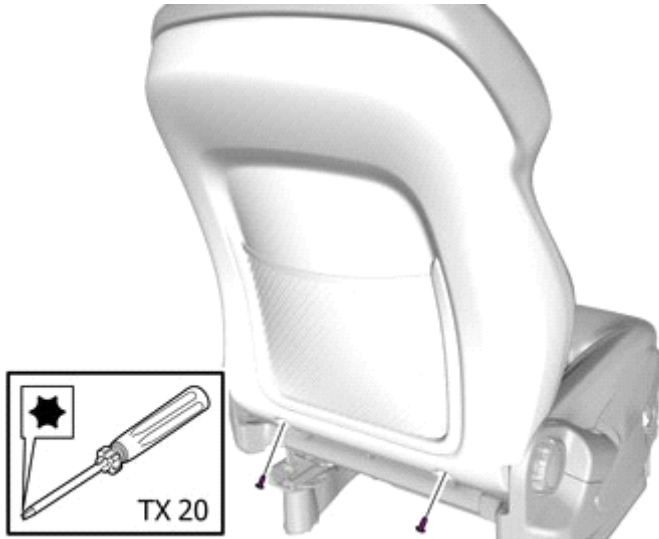
5



IMG-394500

6

Remove the screws.



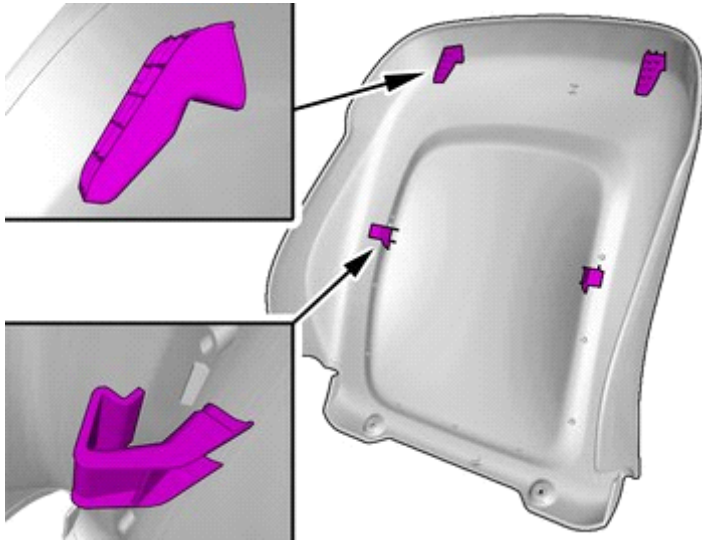
IMG-394038



Installation instructions, accessories

Volvo Car Corporation Gothenburg, Sweden

7

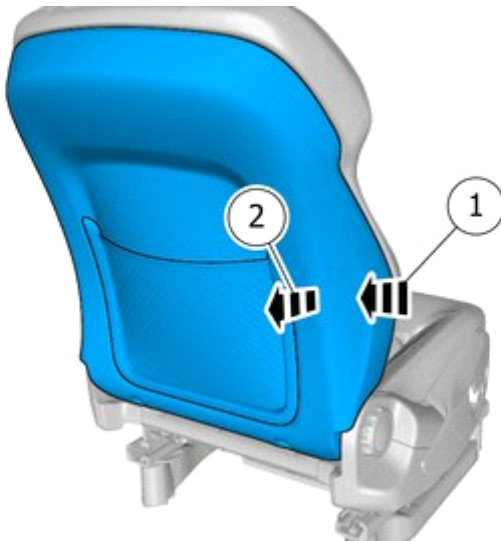


IMG-394018

Note!

The graphic shows the back of the component before removal.

8

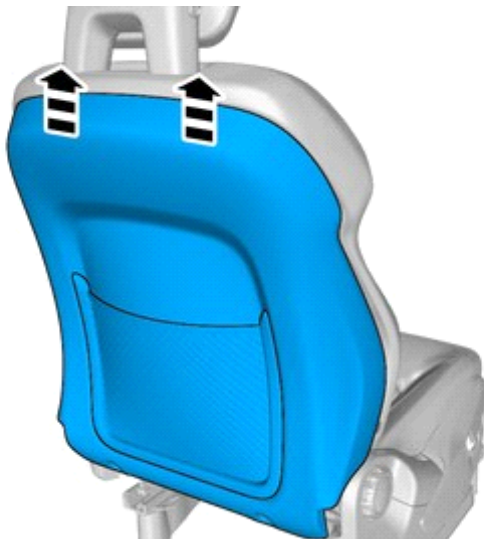


IMG-394039

Note!

Perform the procedure one side at a time.

9



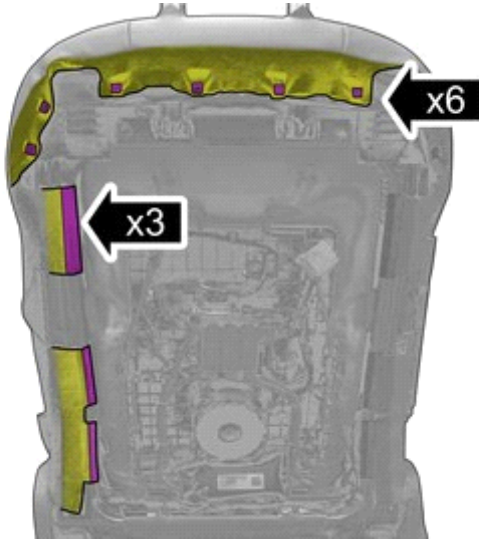
IMG-394056



Installation instructions, accessories

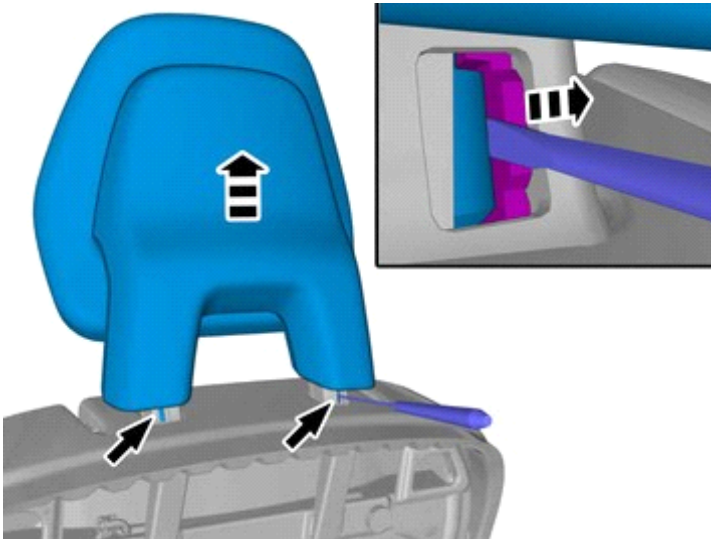
Volvo Car Corporation Gothenburg, Sweden

10



IMG-399420

11



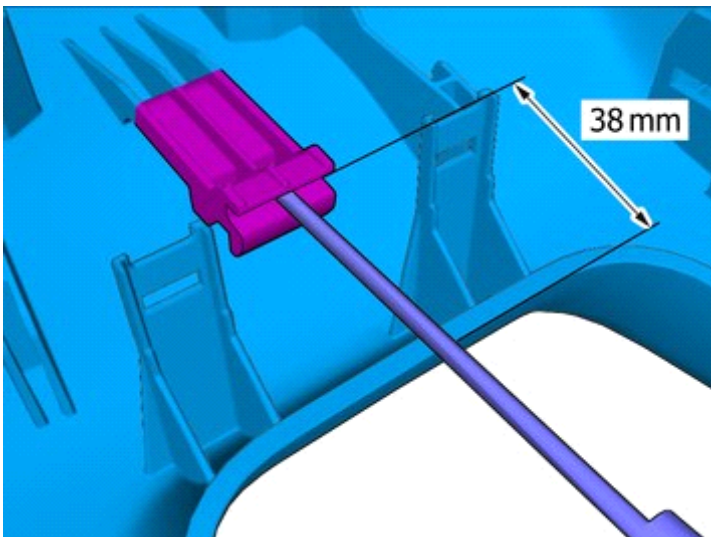
IMG-403590

The image shows seat without upholstery.

Release the locks.

Remove the marked part.

12



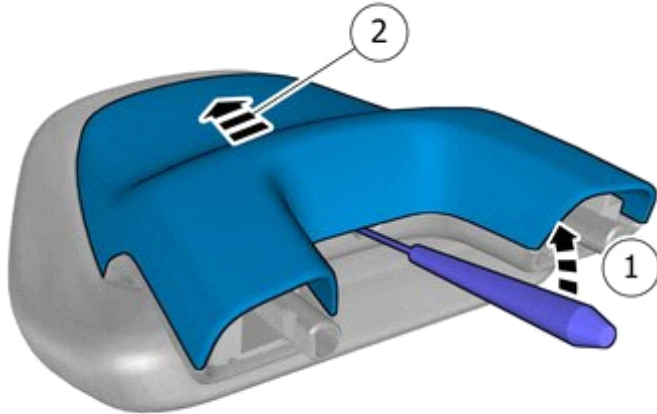
IMG-403751

Note!

The graphic shows the back of the component before removal.



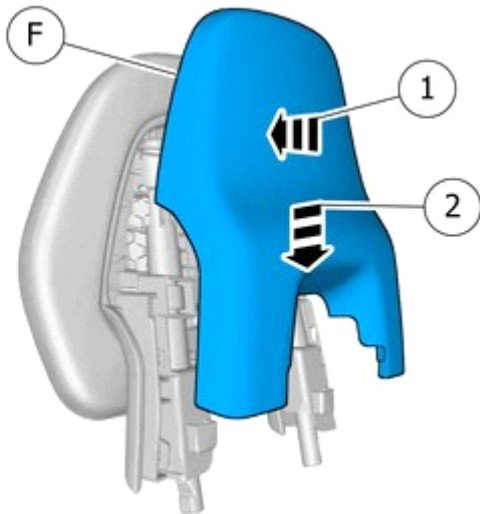
13



IMG-403745

Accessory installation

14



IMG-405590

Install component that comes with the accessory kit.

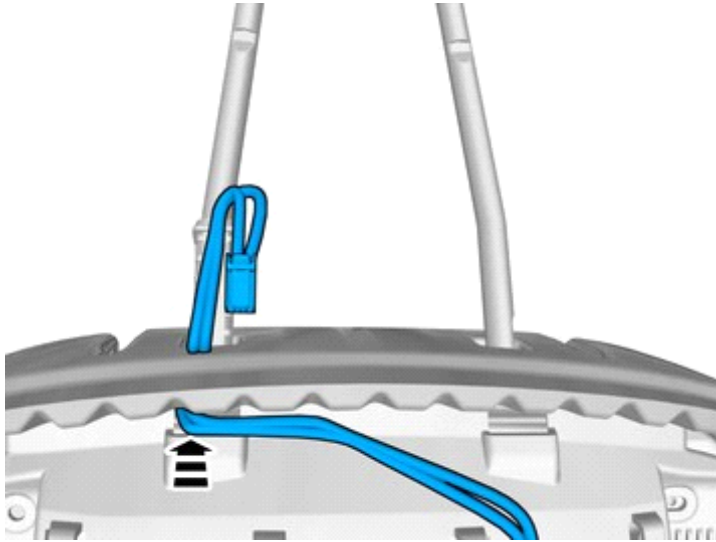
Ensure that all clips engage.



Installation instructions, accessories

Volvo Car Corporation Gothenburg, Sweden

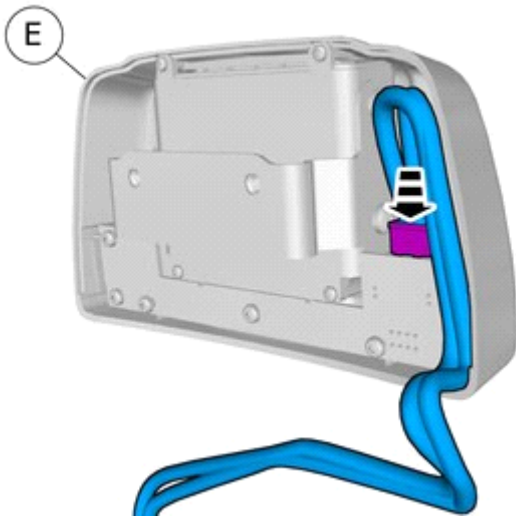
15



IMG-419176

Pull the wiring harness through.

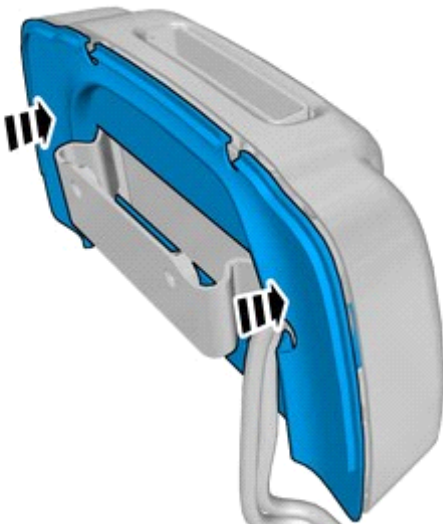
16



IMG-419177

Connect the connector.

17



IMG-405495

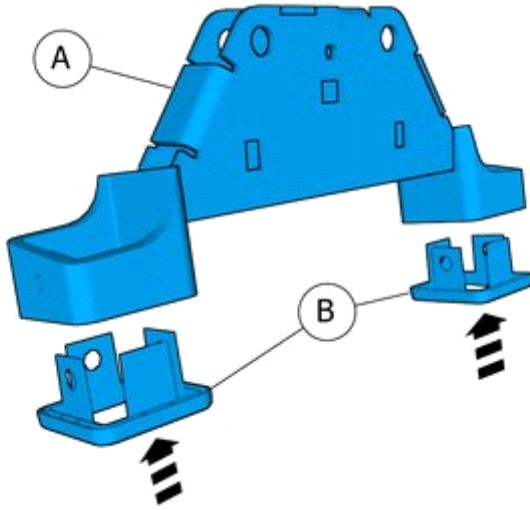
Make sure that the gasket is correctly located.



Installation instructions, accessories

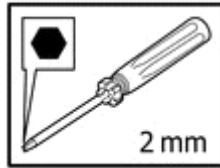
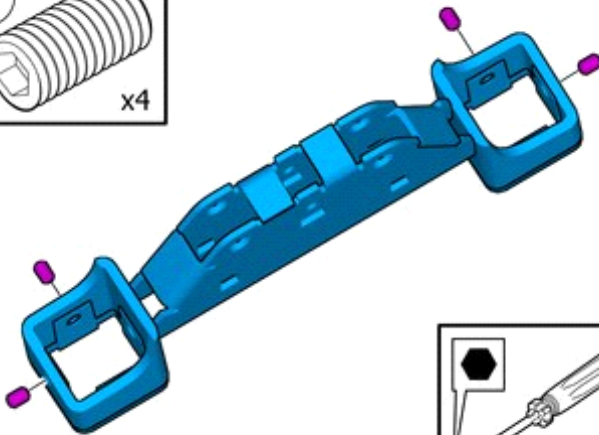
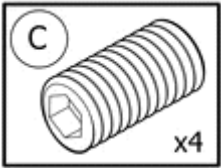
Volvo Car Corporation Gothenburg, Sweden

18



IMG-405870

19

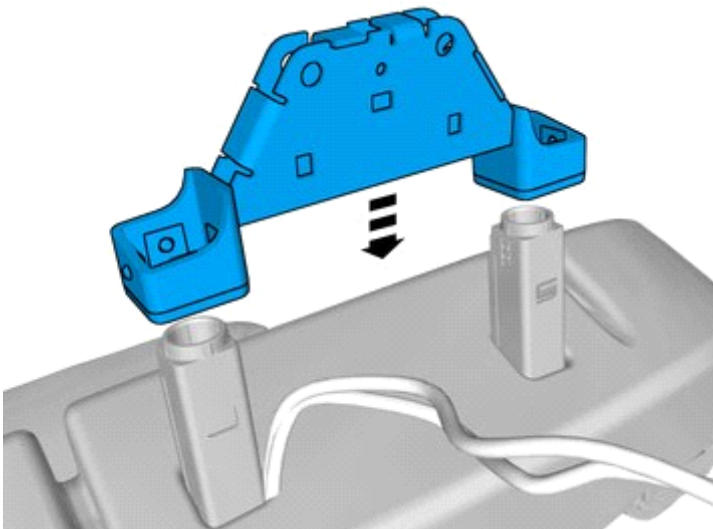


IMG-405800

Note!
Maximum 2 turns.

Install the screws.

20



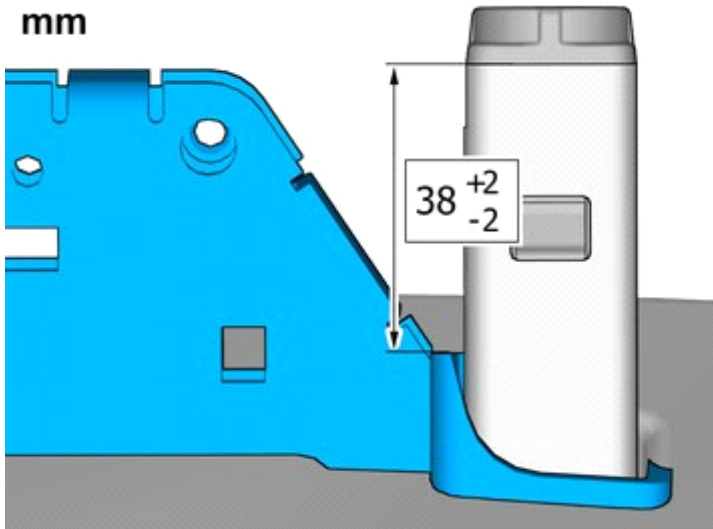
IMG-407172



Installation instructions, accessories

Volvo Car Corporation Gothenburg, Sweden

21 mm



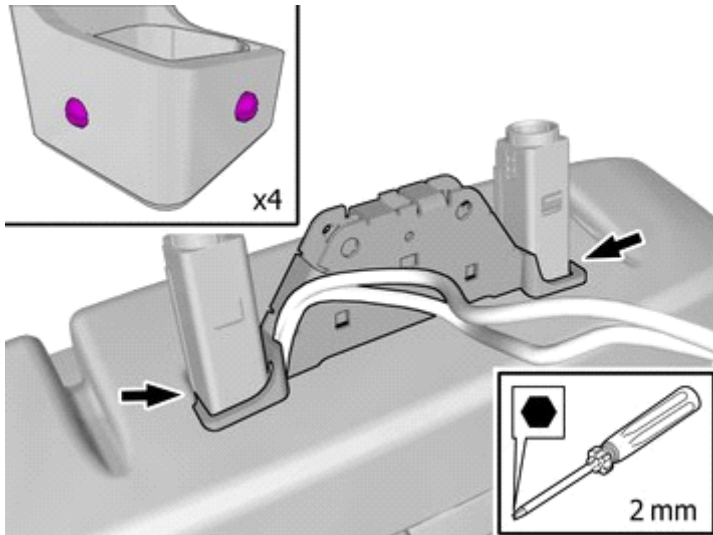
IMG-408170

Note!

This step is easier with two people.

Adjust to the specified value.

22



IMG-407175

Note!

This step is easier with two people.

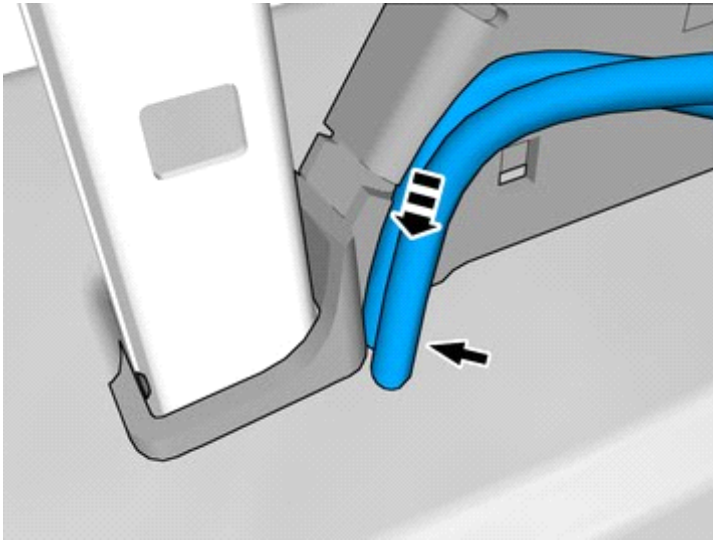
Tighten the bolts.



Installation instructions, accessories

Volvo Car Corporation Gothenburg, Sweden

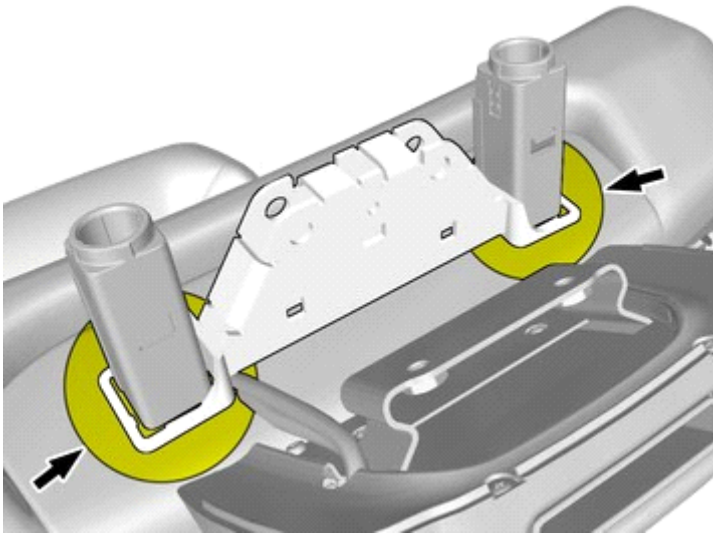
23



IMG-407176

Position/route the cable harness as illustrated.

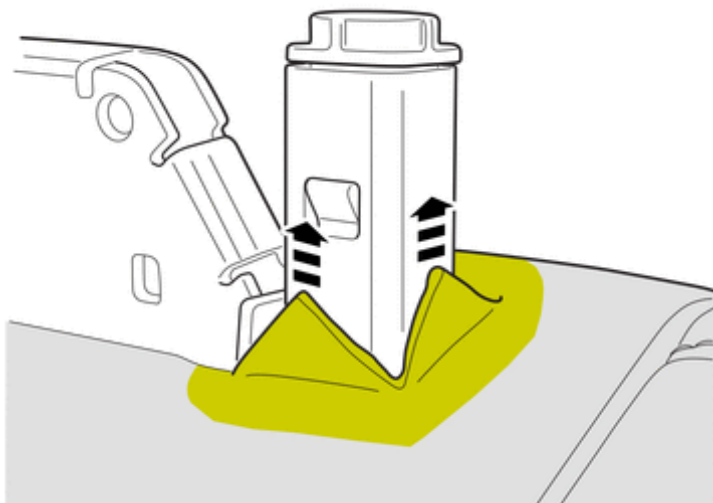
24



IMG-406221

Note!
Orientation view

25



IMG-407340

Caution!
Pull up the upholstery to cover lower part of bracket.



Installation instructions, accessories

Volvo Car Corporation Gothenburg, Sweden

26

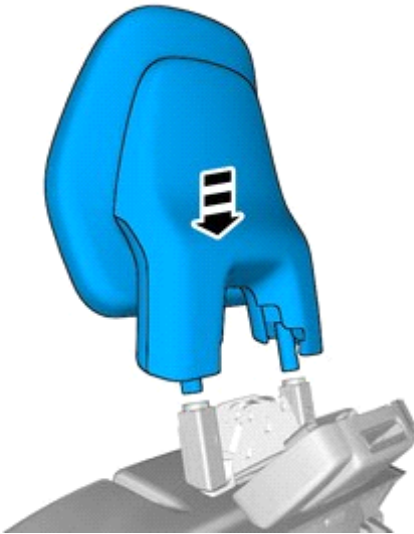


Caution!

Press the foam padding upward against the upholstery.

IMG-407341

27

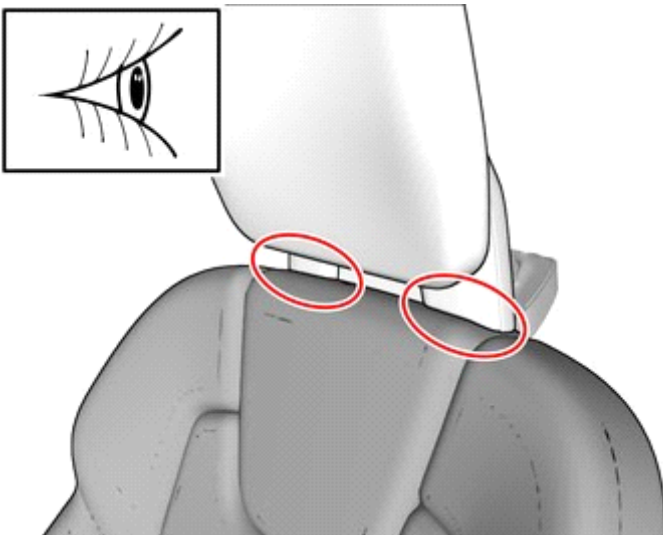


Caution!

Check that the component has locked in its bottom position.

IMG-405592

28



Note!

Make sure that the backrest upholstery touches the head restraint, showing no space in between.

Compare with upholstery and head restraint on the other front seat.

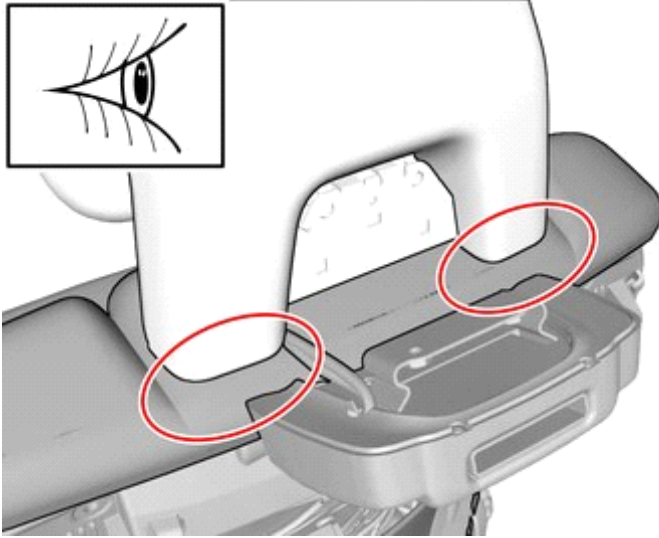
IMG-414067



Installation instructions, accessories

Volvo Car Corporation Gothenburg, Sweden

29



IMG-413617

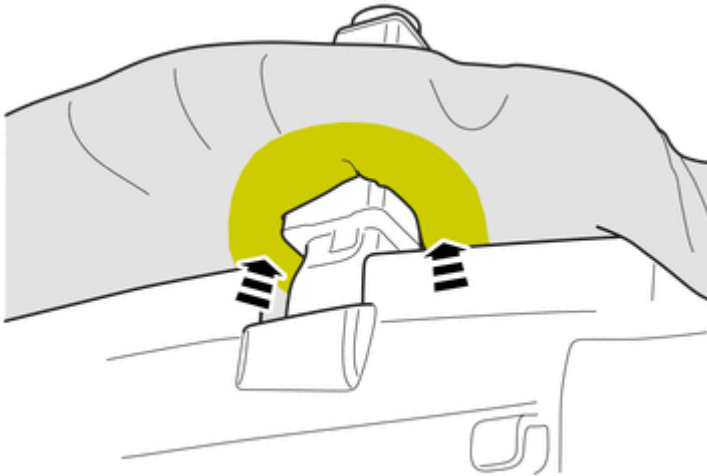
Note!

Make sure that the backrest upholstery touches the head restraint, showing no space in between.

Compare with upholstery and head restraint on the other front seat.

If adjustment is necessary, follow the procedure described in the method step below.

30



IMG-407341

Caution!

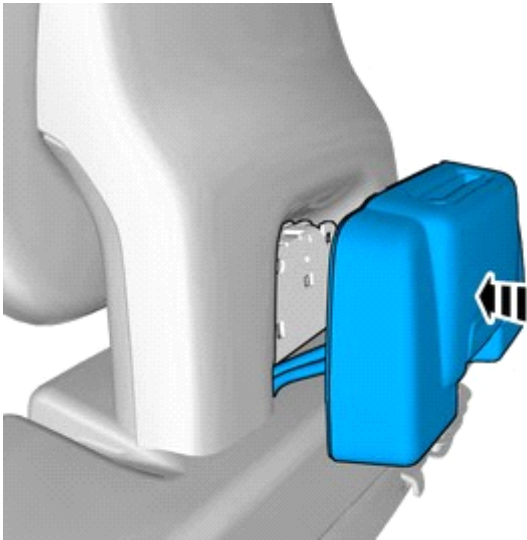
Press the foam padding upward against the upholstery.



Installation instructions, accessories

Volvo Car Corporation Gothenburg, Sweden

31

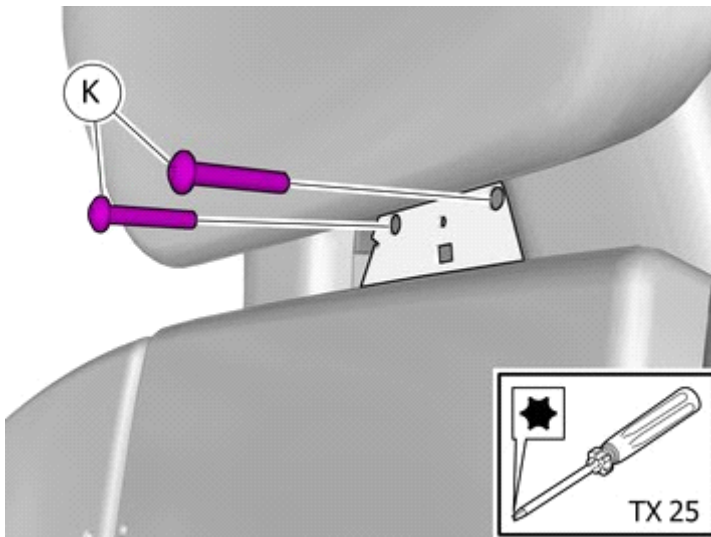


IMG-405657

Place the component where indicated in the graphic.

Adjust the position of the wiring harness.

32



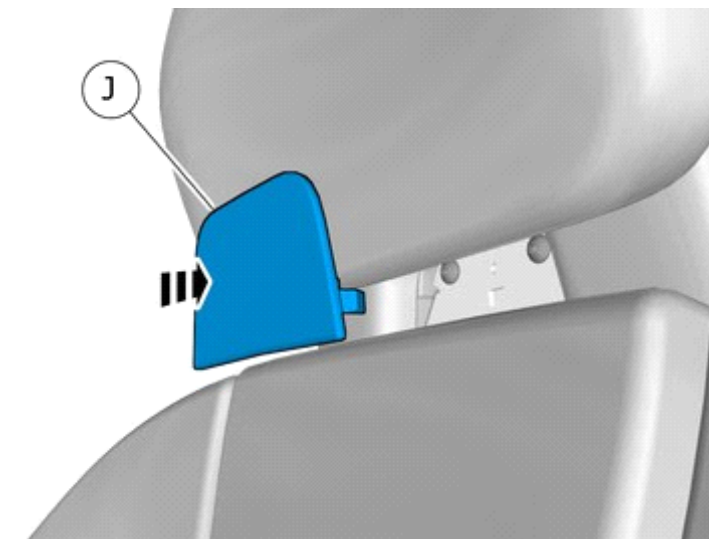
IMG-405659

Install the screws.

Make sure that the gasket is correctly located.

Tighten the bolts.

33



IMG-405660



Installation instructions, accessories

Volvo Car Corporation Gothenburg, Sweden

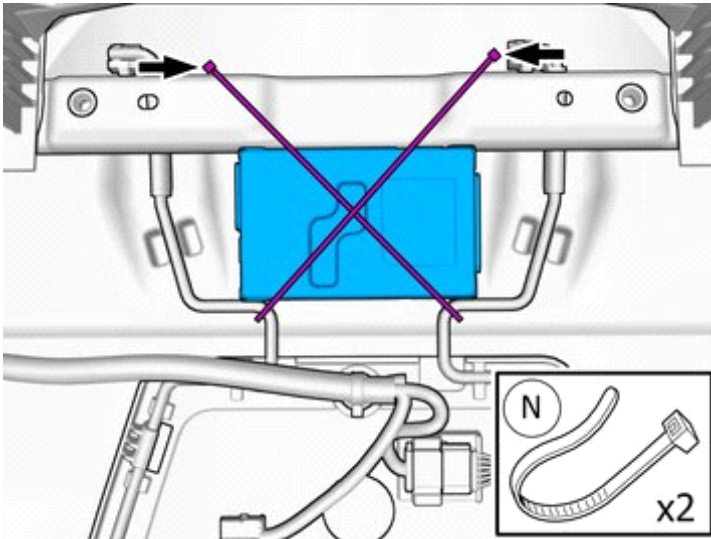
34



IMG-419771

Note!
Orientation view

35

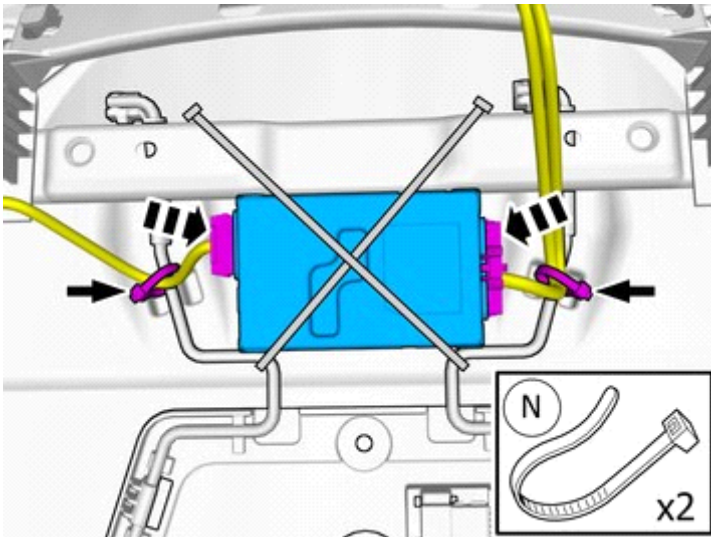


IMG-418894

Install component that comes with the accessory kit.

Tighten the cable ties.

36



IMG-418895

Connect the connectors.

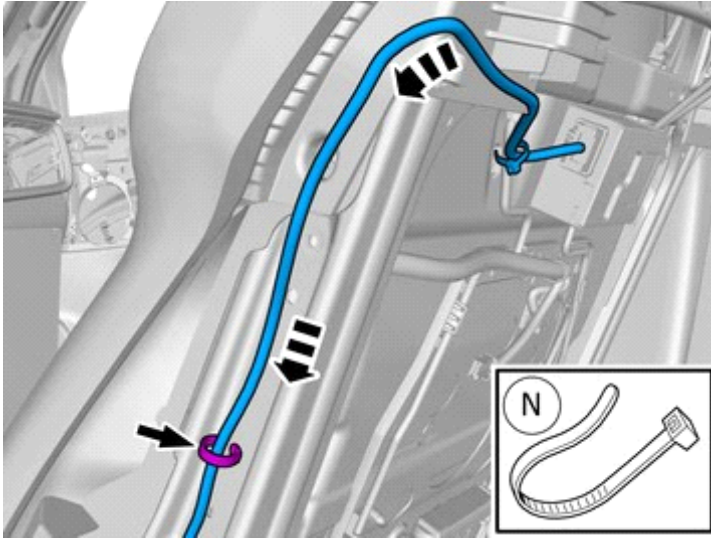
Tighten the cable ties.



Installation instructions, accessories

Volvo Car Corporation Gothenburg, Sweden

37



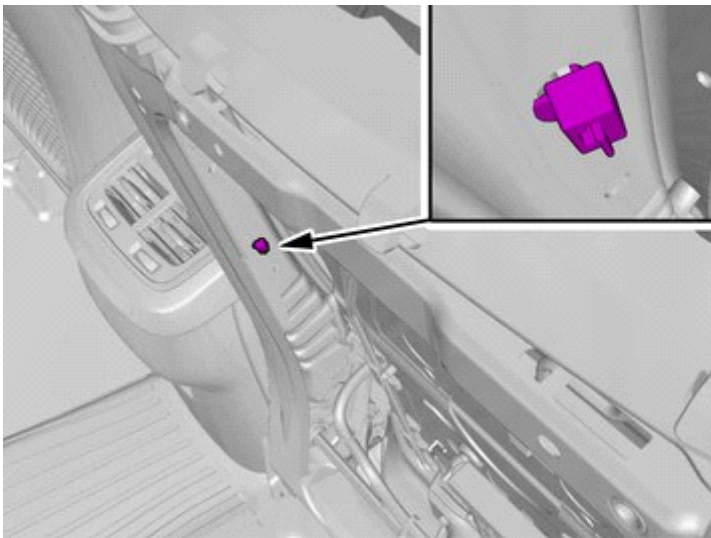
IMG-418896

Position/route the cable as illustrated.

Install the cables.

Use a cable tie

38



IMG-408595

Note!
Note the position.

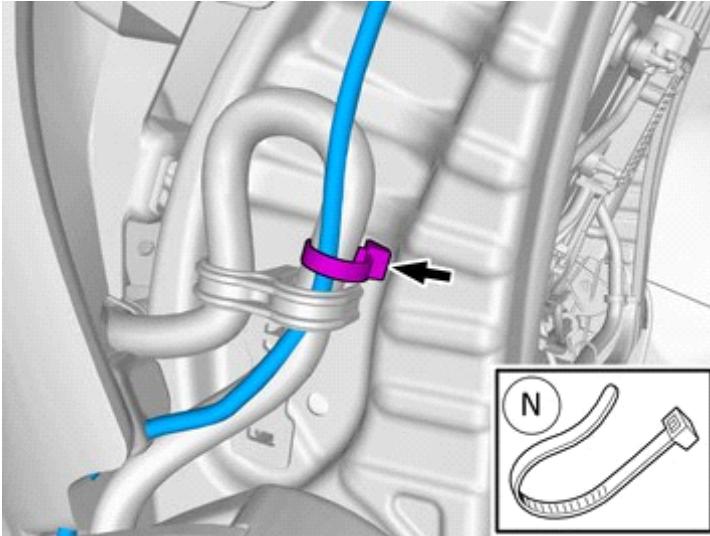
Tighten the cable tie.



Installation instructions, accessories

Volvo Car Corporation Gothenburg, Sweden

39

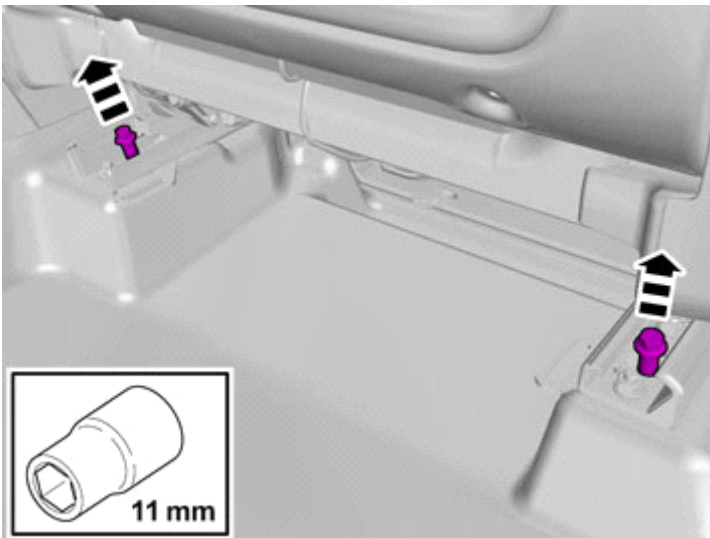


IMG-418897

Position/route the cable as illustrated.

Removal

40



IMG-383130

Remove the screws.

Tightening torque: Front seat to body , 40 Nm



Installation instructions, accessories

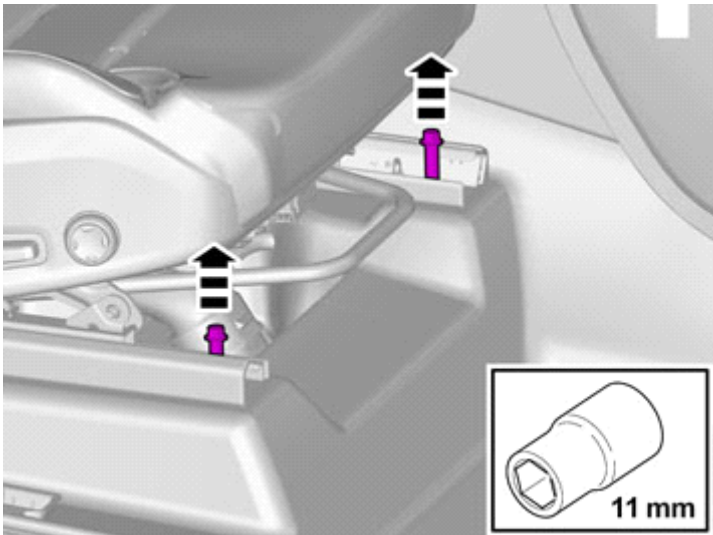
Volvo Car Corporation Gothenburg, Sweden

41



IMG-397249

42



IMG-383129

Remove the screws.

Tightening torque: Front seat to body , 40 Nm

43



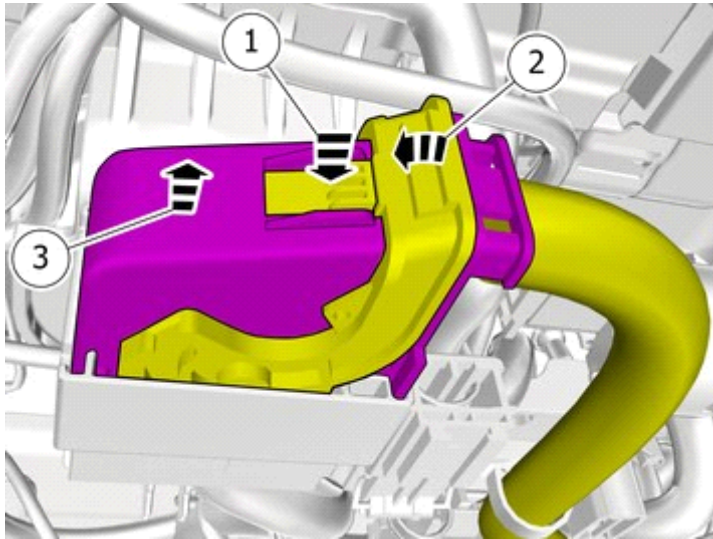
IMG-383134



Installation instructions, accessories

Volvo Car Corporation Gothenburg, Sweden

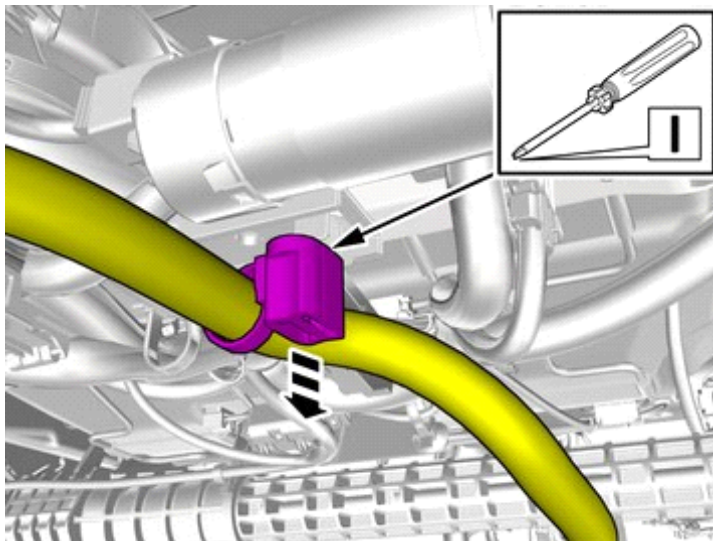
44



IMG-396605

- Release the connector's catch.
- Release the lock.
- Disconnect the connector.

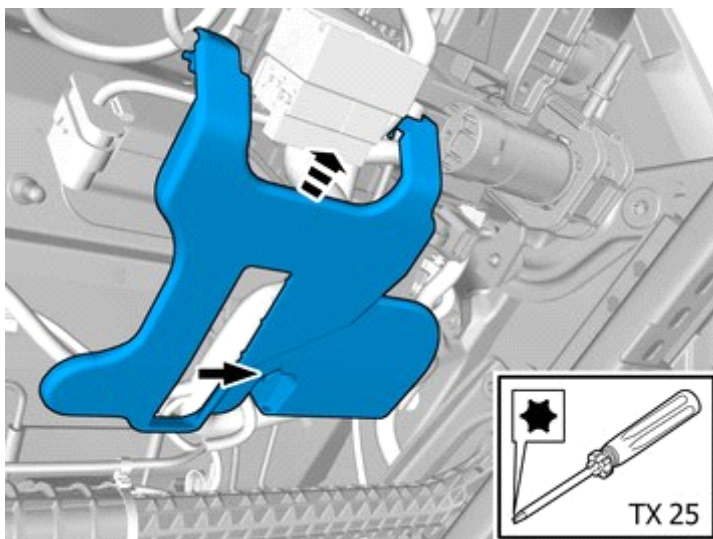
45



IMG-396606

Unhook the cable harness clips.

46



IMG-403720

Remove the marked part.

Remove the screw.



Installation instructions, accessories

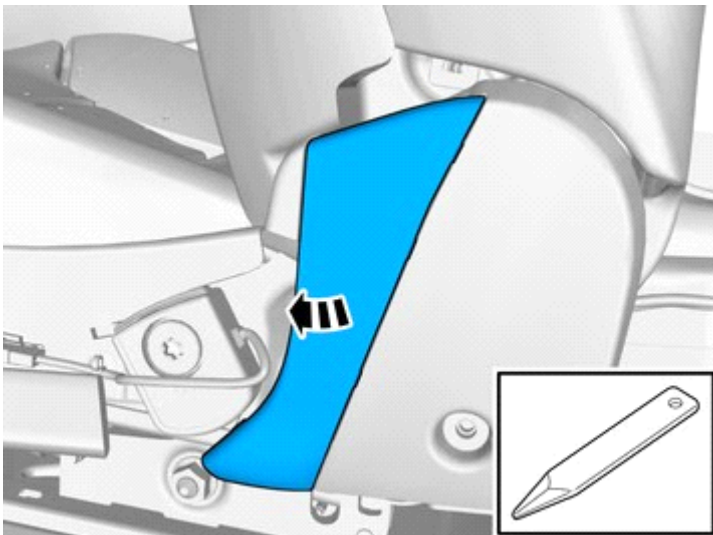
Volvo Car Corporation Gothenburg, Sweden

47



IMG-397252

48



IMG-418918

Remove the marked part.

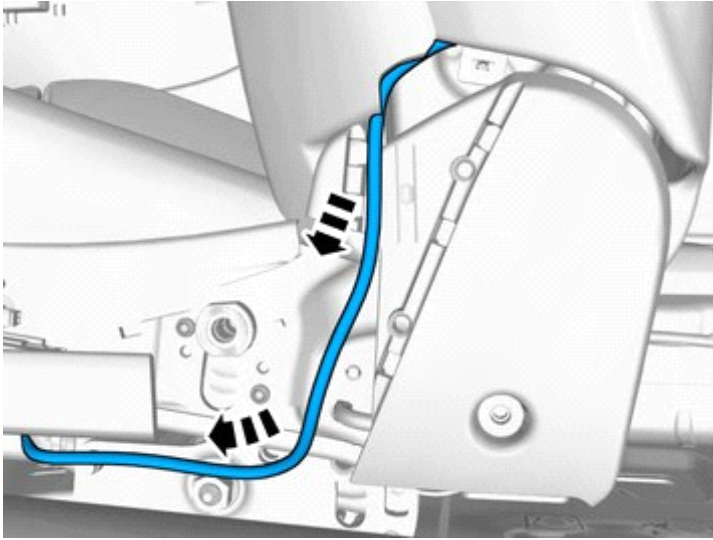
Accessory installation



Installation instructions, accessories

Volvo Car Corporation Gothenburg, Sweden

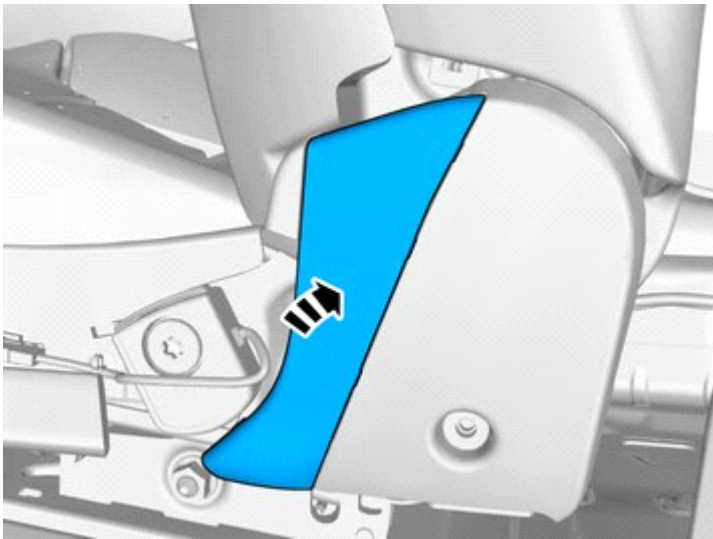
49



IMG-418920

Position/route the cables as illustrated.

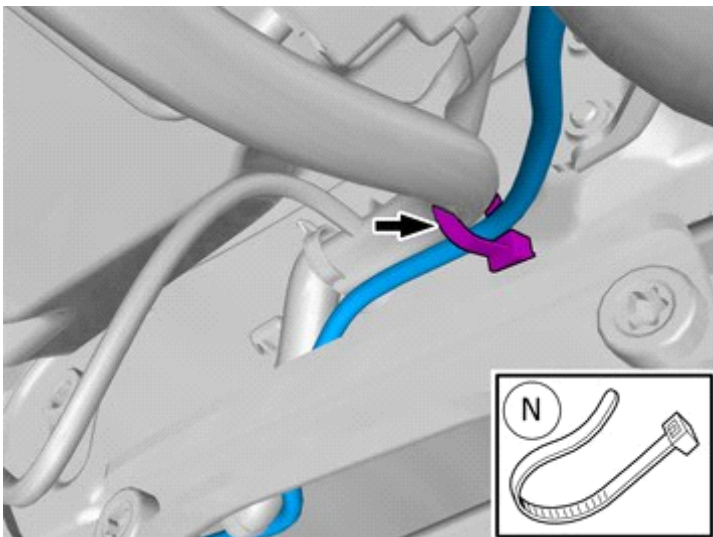
50



IMG-418919

Reinstall the removed part.

51



IMG-418925

Route the wires adjacent to existing wirings.

Install the cables.

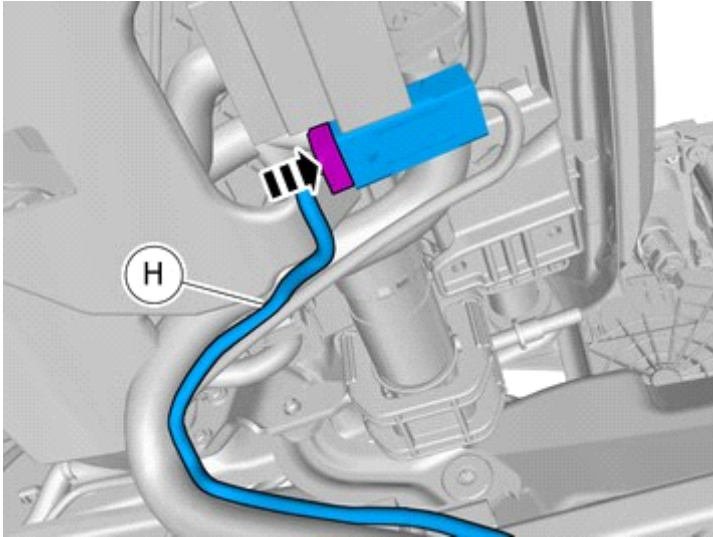
Use a cable tie



Installation instructions, accessories

Volvo Car Corporation Gothenburg, Sweden

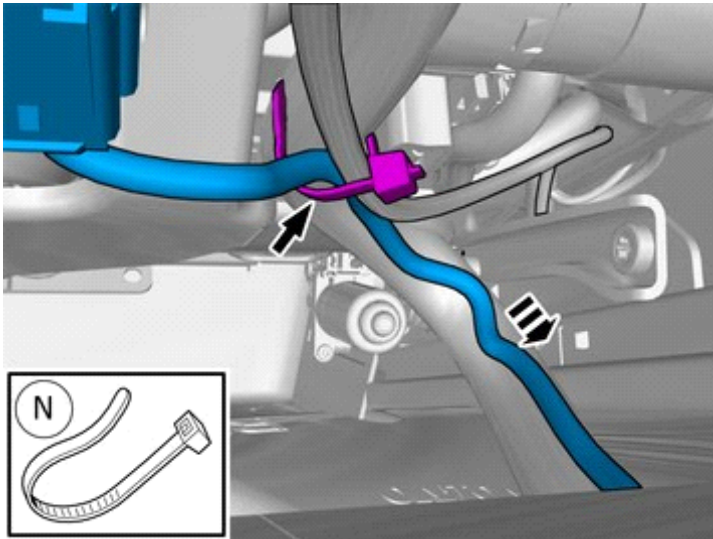
52



IMG-418930

Connect the connector.

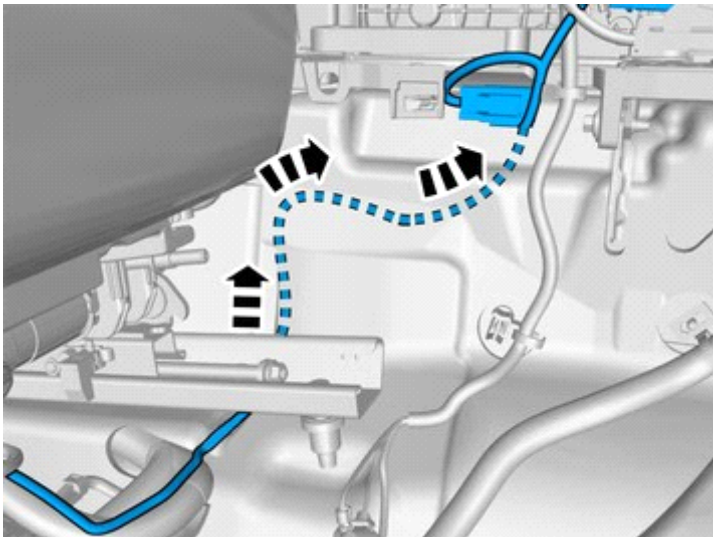
53



IMG-418931

Tighten the cable tie.

54



IMG-418957

Position/route the cable as illustrated.



Installation instructions, accessories

Volvo Car Corporation Gothenburg, Sweden

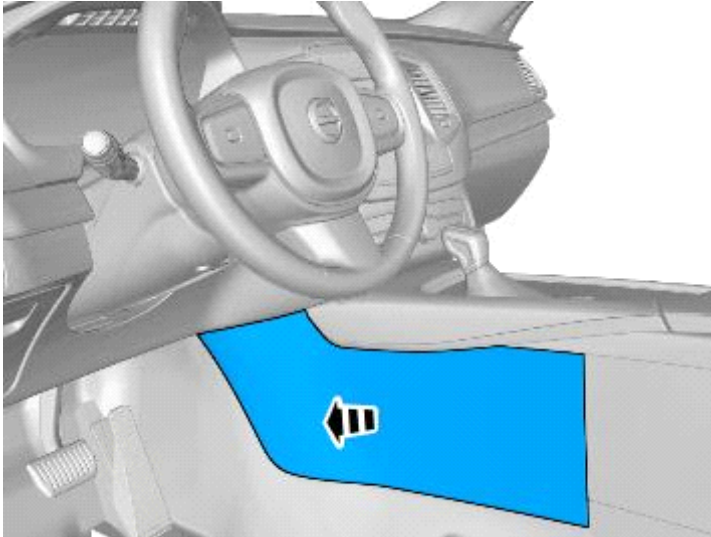
Concerns installation of accessories on both seats

55

Repeat the steps when removing on opposite side.

Repeat the steps when installing accessories on opposite side.

56

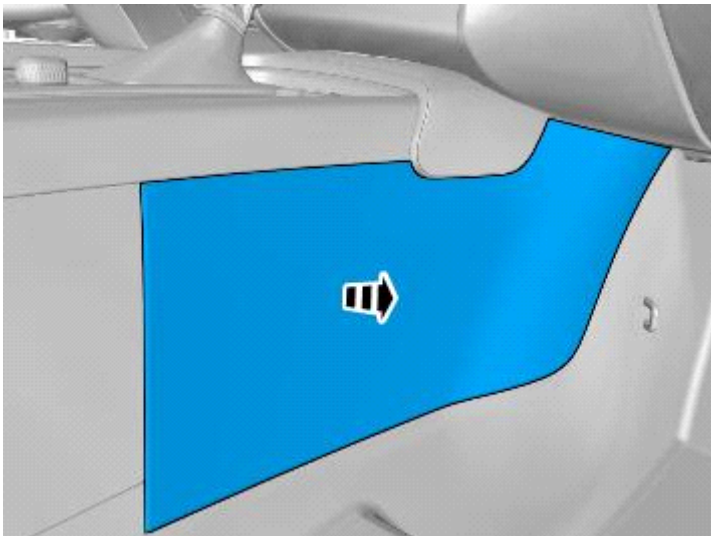


IMG-383708

Remove the marked part.

All vehicles

57



IMG-383729

Remove the marked part.

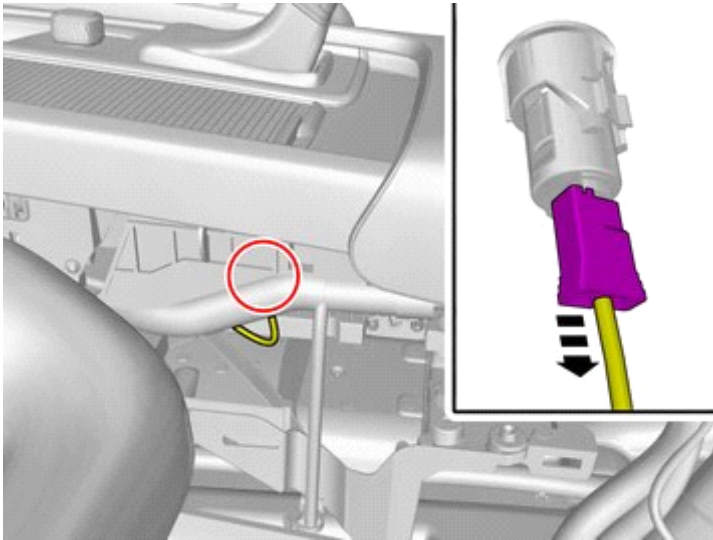
Vehicles with 2-zone Air Conditioning system AC



Installation instructions, accessories

Volvo Car Corporation Gothenburg, Sweden

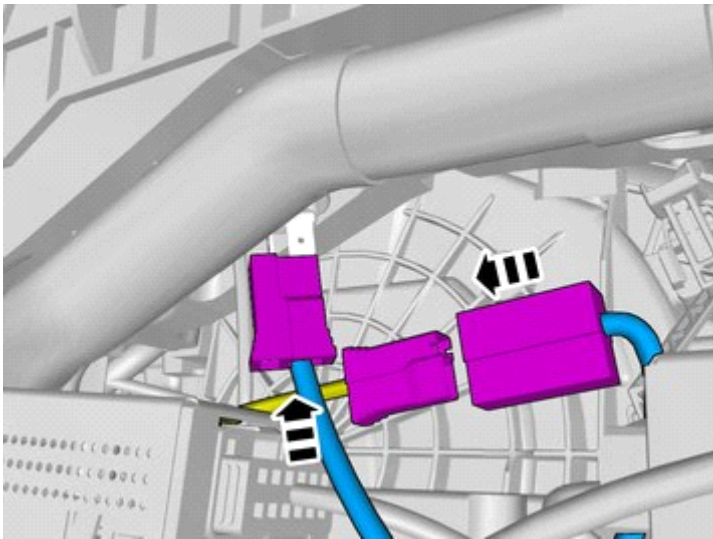
58



IMG-394435

Disconnect the connector.

59



IMG-394235

Connect the connectors.

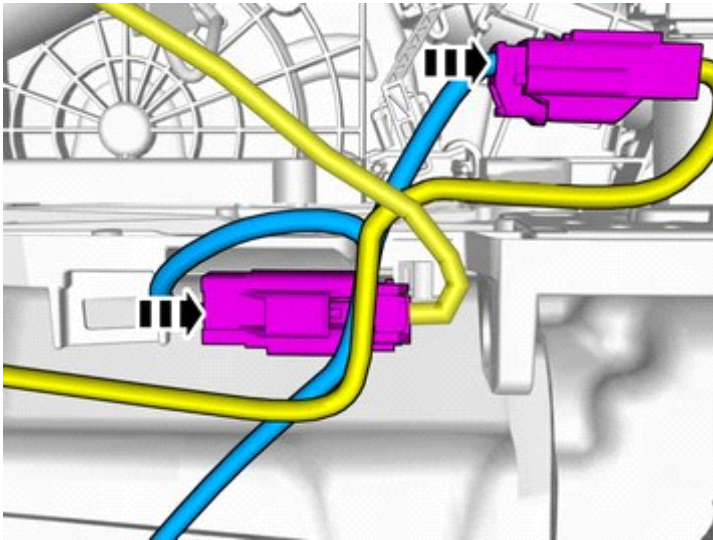
Vehicles with 4-zone Air Conditioning system AC



Installation instructions, accessories

Volvo Car Corporation Gothenburg, Sweden

60

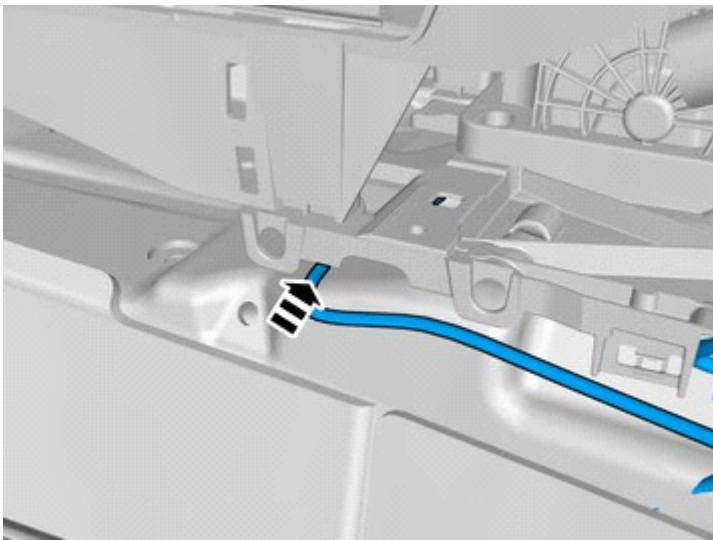


IMG-419565

Connect the connectors.

Concerns installation of accessories on both seats

61



IMG-418959

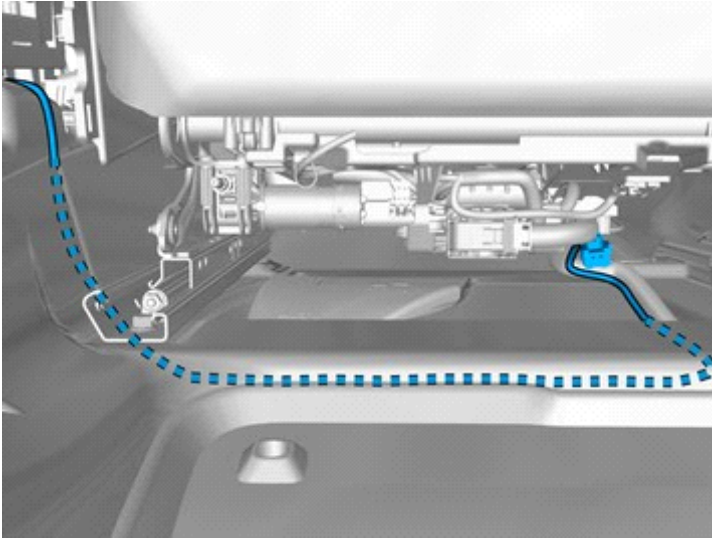
Pull the wiring through.



Installation instructions, accessories

Volvo Car Corporation Gothenburg, Sweden

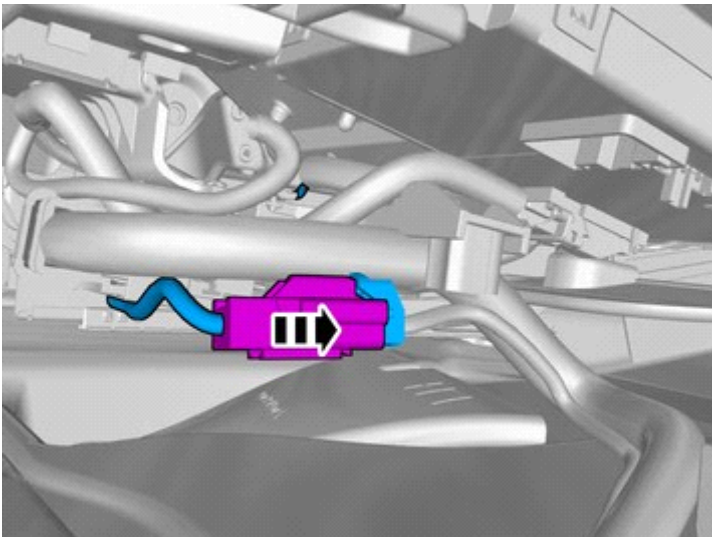
62



IMG-418960

Position/route the cable as illustrated.

63



IMG-418961

Connect the connector.

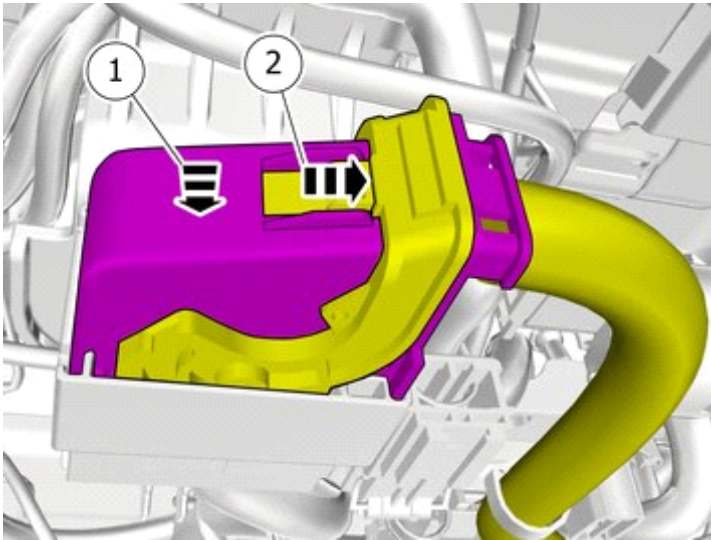
All vehicles



Installation instructions, accessories

Volvo Car Corporation Gothenburg, Sweden

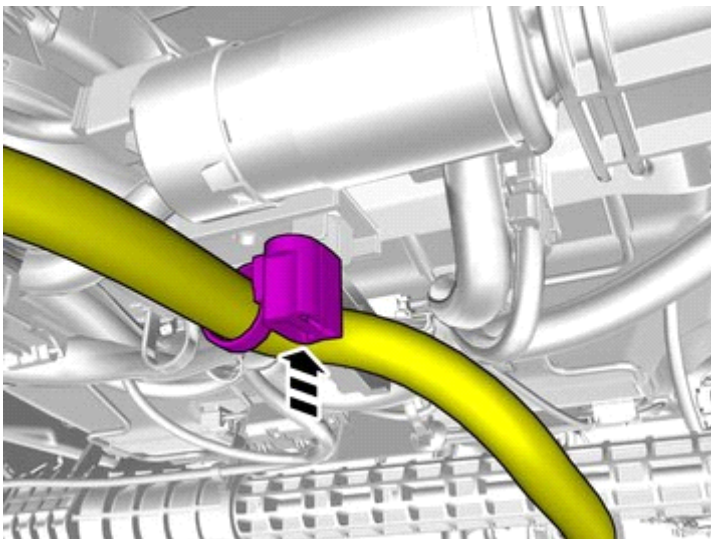
64



IMG-406061

Connect the connector.

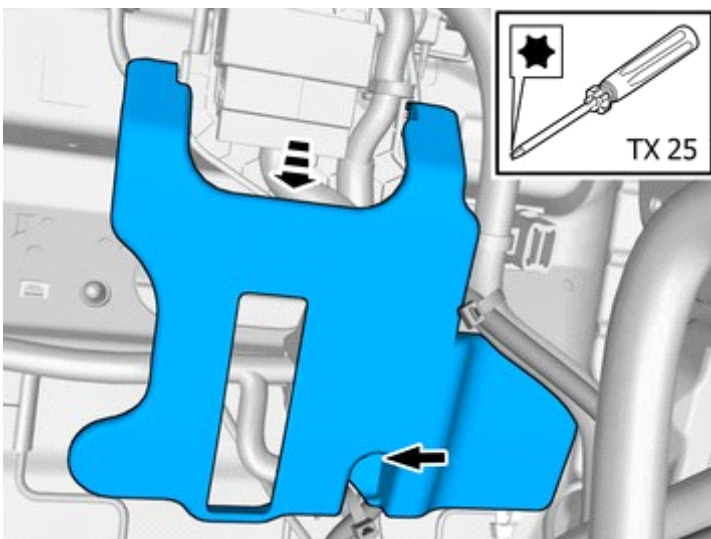
65



IMG-406062

Install the wiring harness.

66



IMG-408610

Reinstall the removed part.

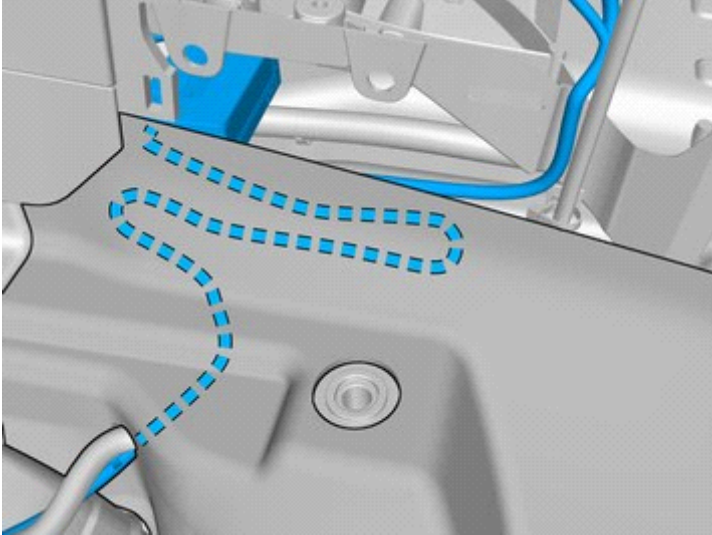
Install the screw.



Installation instructions, accessories

Volvo Car Corporation Gothenburg, Sweden

67



IMG-406070

Place any excess inside the floor carpet.

Concerns installation of accessories on both seats

68

Repeat the steps when installing accessories on opposite side.

Installation

69

Reinstall the removed parts in reverse order.
